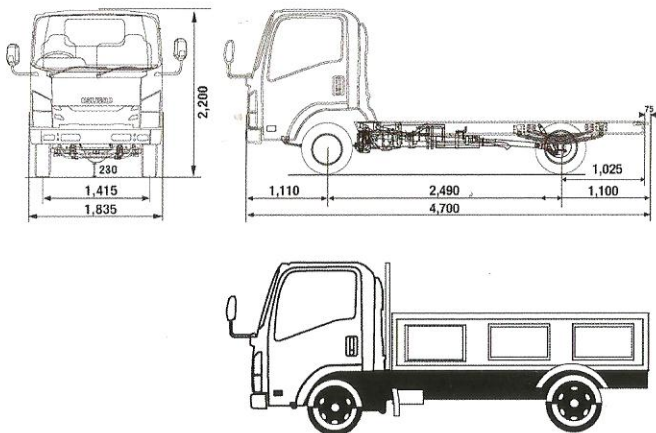


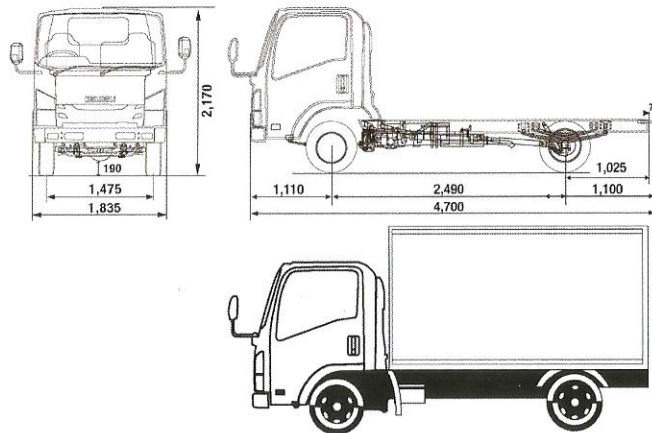
# SPESIFIKASI TEKNIS

DIMENSI / DIMENSION		NLR 55T	NLR 55Tx	NLR 55T Lx	NLR 55T		NLR 55Tx		NLR 55T Lx	
Panjang / Overall Length (OAL)	mm	4,700	4,700	6.000	Rem Kaki / Service Brake		Hydraulic, saluran ganda dengan vacum booster			
Lebar / Overall Width (OW)	mm	1,835	1,835	1,835	Rem Tangan / Hand Brake		Mekanisme expanding di transmisi belakang			
Tinggi / Overall Height (OH)	mm	2,200	2,170	2,170	Sistem Pengereman Gas Buang / Exhaust Brake		Tidak Ada	Ada	Ada	
Jarak Sumbu / Wheelbase (WB)	mm	2,490	2,490	3.360	<b>KAPASITAS GARDAN / AXLE CAPACITY</b>					
Julur Depan / Front Overhang (FOH)	mm	1,110	1,110	1,110	Depan / Front	kg	3,500	1,690	1,800	
Julur Belakang / Rear Overhang (ROH)	mm	1,100	1,100	1,530	Belakang / Rear	kg	1,600	5,100	5,100	
Jarak Terendah Ke Tanah / Minimum Clearance (HH)	mm	230	190	190	<b>RODA / TYRE</b>					
Jejak Depan / Front Tread (AW)	mm	1,415	1,475	1,475	Ban depan / Front Tyre	Single, 7.50-15-10PR		Single, 7.50-15-12PR		Single, 7.50-15-14PR
Jejak Belakang / Rear Tread (CW)	mm	1,375	1,395	1,395	Ban belakang / Rear Tyre	Single, 7.50-15-10PR		Single, 7.50-15-12PR		Single, 7.50-15-14PR
Cabin to End (CE)	mm				Velg / Disc Wheel Size	15 X 5.50		15 X 5.50		15 X 5.50
<b>MESIN / ENGINE</b>					<b>SUSPENSI / SUSPENSION</b>					
Model / Model		4JB1-TC	4JB1-TC	4JB1-TC	Depan / Front	Semi elliptical laminated leaf spring dengan shock absorber berdaya ganda				
Tipe / Type		Direct Injection, 4 Cylinder, Turbo intercooler, OHV			Belakang / Rear	Semi elliptical laminated leaf spring dengan shock absorber berdaya ganda				
Diameter X Langkah / Bore X Stroke	mm	93 x 102	93 x 102	93 x 102	<b>LAIN-LAIN / OTHERS</b>					
Isi Silinder / Piston Displacement	cc	2,771	2,771	2,771	Kapasitas Tangki / Fuel Tank Capacity	ltr	75	75	100	
Tenaga Maksimum / Maximum Power	PS/rpm	100 / 3,400	100 / 3,400	100 / 3,400	Radius Putar Minimum / Minimum Turning Radius	m	5.7	5.7	7.3	
Torsi Maksimum / Maximum Torque	Kgm/rpm	22.5 / 2,000 - 3,200	22.5 / 2,000 - 3,200	22.5 / 2,000 - 3,200	Daya Tanjak Maksimum / Maximum Gradeability	%	22	28	28	
<b>TRANSMISI / TRANSMISSION</b>					Kecepatan Maksimum / Maximum Speed	km/h	102	109	109	
Model / Model		MSB5S	MSB5M	MSB5M	Aki / Accu	V-Ah	12-60	12-60	12-60	
Perbandingan Gigi / Gear Ratio		1st	5.016	5.594	5.594	Alternator	V-A	12-60	12-60	
		2nd	2.672	2.814	2.814	Power Steering	Ada	Ada	Ada	
		3rd	1.585	1.660	1.660	Tilt & Telescopic Steering	Ada	Ada	Ada	
		4th	1.000	1.000	1.000	Kamera Mundur / Reverse Parking Camera	Ada	Ada	Ada	
		5th	0.770	0.794	0.794	DVD, CD, MP3, USB, Aux In, Radio, SD Card	Ada	Ada	Ada	
		Rev	4.783	5.334	5.334	Retractable Seat Belt	Ada	Ada	Ada	
Perbandingan Gigi Terakhir / Final Gear Ratio		4.875	5.857	5.857	Fan Blower	Ada	Ada	Ada		
<b>BERAT / WEIGHT</b>										
Berat Kosong Kendaraan / Curb Weight	kg	1,640	1,690	1,800	<i>* Untuk meningkatkan mutu dan penyesuaian dengan perkembangan teknologi, spesifikasi dapat berubah sewaktu-waktu tanpa pemberitahuan.</i>					
Berat Total Kendaraan / Gross Vehicle Weight (GVW)	kg	5,100	5,100	5,100	<i>** Ilustrasi merupakan contoh sebagian aplikasi di lapangan.</i>					

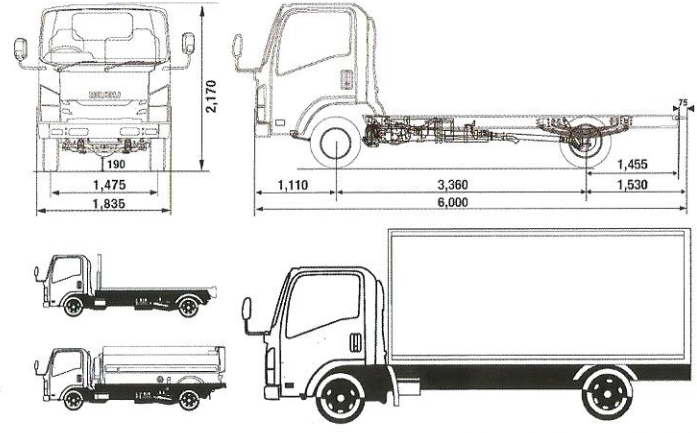
## NLR 55 T



## NLR 55 TX



## NLR 55 TLX



Agan Pemegang Merek & Distributor :

**PT ISUZU ASTRA MOTOR INDONESIA**

www.isuzu-astra.com